



PRODUCT REFERENCE GUIDE

LINEAR

| | |
|--------------|----|
| TIMI | 3 |
| LINI | 4 |
| TIA | 5 |
| TANA | 6 |
| PICO | 7 |
| MIMI | 8 |
| MOMO | 9 |
| SEN | 10 |
| SUMO | 11 |
| GROOVE | 12 |
| FLO | 13 |

FLEXIBLE

| | |
|-----------------|----|
| KURV | 15 |
| MOMO Flex | 16 |
| FX | 17 |
| LUNA | 18 |

POWER

| | |
|------------------|----|
| MOMO Power | 20 |
| SEN | 21 |

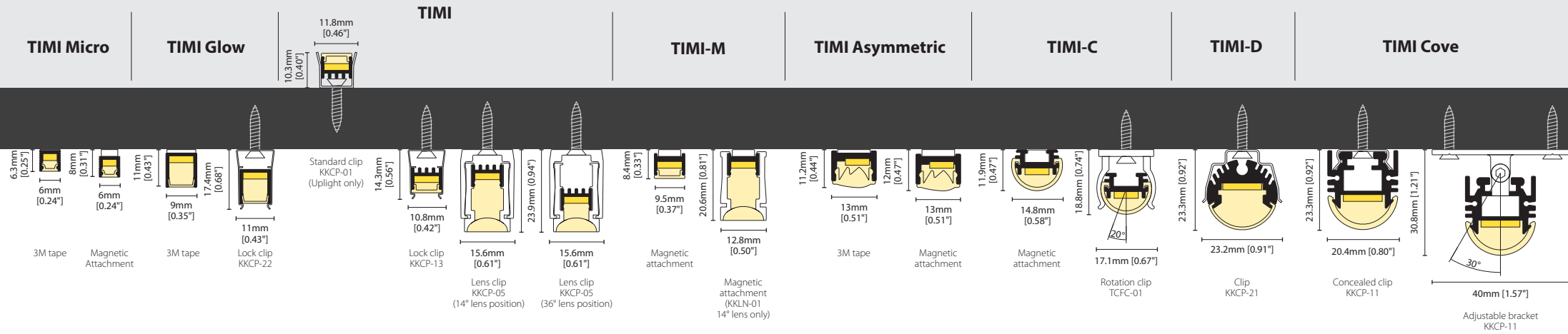
SYSTEMS

| | |
|-------------|----|
| KOH | 23 |
| PIXEL | 24 |

SPOTS

| | |
|-----------------|----|
| LINI Spot | 26 |
| PUK | 27 |
| TAYO | 28 |

L I N E A R



| | | TIMI Micro | | TIMI Glow | | | | TIMI | | | | | | TIMI-M | | | | TIMI Asymmetric | TIMI-C | | | | | | TIMI-D | TIMI Cove | | | | | | | | | |
|----------------|-----------------|---------------|------|-----------|------|------|------|------|------|------|------|------|-------|--------|------|------|------|-----------------|--------|------|------|------|------|------|--------|-----------|------|------|------|--|--|--|--|--|--|
| LED | | RS14 | RS07 | A020 | A010 | R020 | R014 | A020 | A010 | R014 | R007 | R207 | RGB | A020 | A010 | R014 | R007 | R207 | RGB | AS30 | A020 | A010 | R020 | R014 | R007 | R207 | A030 | A040 | R030 | | | | | | |
| W/m | | 14W | 7W | 20W | 10W | 20W | 14W | 20W | 10W | 14W | 7W | 16W | 15.6W | 20W | 10W | 14W | 7W | 16W | 15.6W | 30W | 20W | 10W | 20W | 14W | 7W | 16W | 30W | 40W | 30W | | | | | | |
| Line | | S-K | S-K | A | A | S-K | S-K | A | A | S-K | S-K | S-K | RGB | A | A | S-K | S-K | S-K | RGB | A | A | A | S-K | S-K | S-K | S-K | A | A | S-K | | | | | | |
| Cover & Optics | IP | | | | | | | | | | | | | | | | | | | | | | | | | | | | | | | | | | |
| | | IP20 | | | | | | | | | | | | | | | | | | | | | | | | | | | | | | | | | |
| | | IP40 | | | | | | | | | | | | | | | | | | | | | | | | | | | | | | | | | |
| | | No Cover | | | | | | | | | | | | | | | | | | | | | | | | | | | | | | | | | |
| | | Clear | | | | | | | | | | | | | | | | | | | | | | | | | | | | | | | | | |
| | | Diffused | | | | | | | | | | | | | | | | | | | | | | | | | | | | | | | | | |
| | | Semi Diffused | | | | | | | | | | | | | | | | | | | | | | | | | | | | | | | | | |
| | Black | | | | | | | | | | | | | | | | | | | | | | | | | | | | | | | | | | |
| | Asymmetric lens | | | | | | | | | | | | | | | | | | | | | | | | | | | | | | | | | | |
| | 14° | | | | | | | | | | | | | | | | | | | | | | | | | | | | | | | | | | |
| | 30° | | | | | | | | | | | | | | | | | | | | | | | | | | | | | | | | | | |
| | 36° | | | | | | | | | | | | | | | | | | | | | | | | | | | | | | | | | | |

LINI-S Glow

LINI-S

LINI Asymmetric

LINI-S XL

LINI Glow

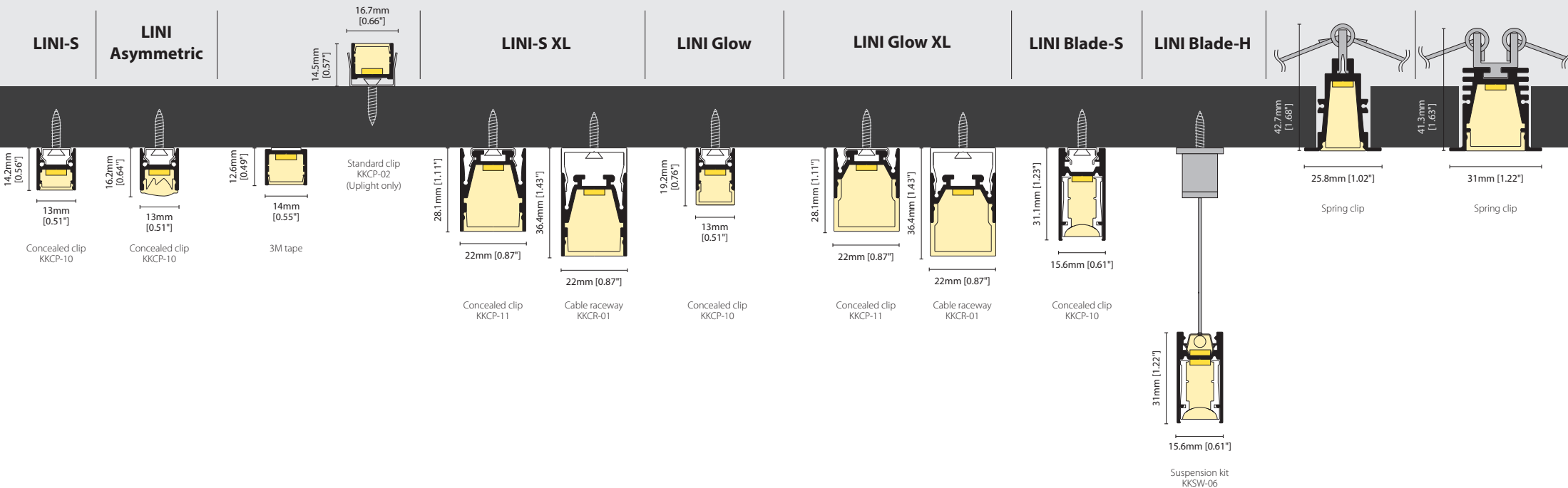
LINI Glow XL

LINI Blade-S

LINI Blade-H

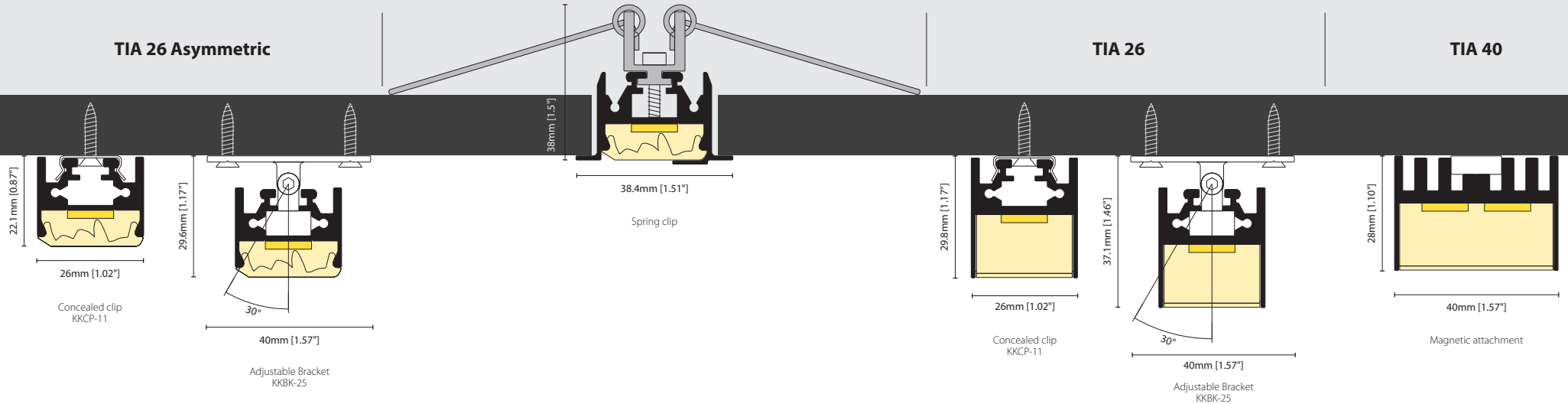
LINI-R





LINI-R XL



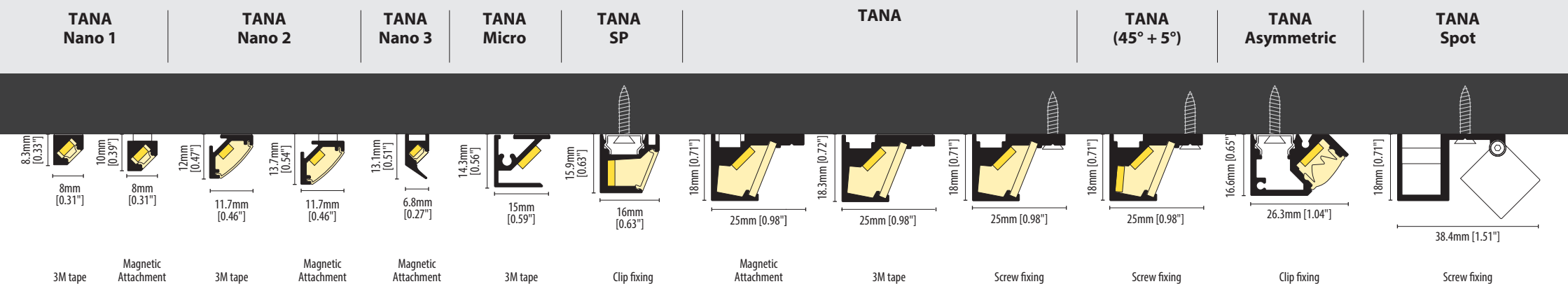
| | LINI-S | | | | | LINI Asymmetric | LINI-S Glow | | | | | LINI-S XL | | | | | LINI Glow | | LINI Glow XL | | | | | | LINI Blade-S | | | | LINI Blade-H | | | | LINI-R | | | | LINI-R XL | | | | | | | | | | |
|-----------------|--------|------|------|------|-------|-----------------|-------------|-----|------|------|------|-----------|------|------|------|-------|-----------|------|--------------|------|------|------|------|------|--------------|------|------|------|--------------|-------|-------|-------|--------|------|-----|------|-----------|-------|------|------|------|-----|-----|-----|-------|--|--|
| | R020 | R014 | R007 | R207 | RGB | AS30 | A030 | 209 | RGBW | A040 | R020 | R014 | R007 | R207 | RGBW | RGB | R020 | R014 | A040 | R020 | R014 | R007 | R207 | RGBW | RGB | R020 | R014 | R007 | R207 | RGB | R020 | R014 | R007 | R207 | RGB | A040 | R020 | R014 | R007 | R207 | RGBW | RGB | | | | | |
| W/m | 20W | 14W | 7W | 16W | 15.6W | 30W | 30W | 25W | 20W | 40W | 20W | 14W | 7W | 16W | 20W | 15.6W | 20W | 14W | 40W | 20W | 14W | 7W | 16W | 20W | 15.6W | 20W | 14W | 7W | 16W | 15.6W | 26.1W | 26.3W | 24.5W | 20W | 14W | 7W | 16W | 15.6W | 40W | 20W | 14W | 7W | 16W | 20W | 15.6W | | |
| Line | | | | | | | | | | | | | | | | | | | | | | | | | | | | | | | | | | | | | | | | | | | | | | | |
| IP | IP20 | | | | | | IP20 | | | | | IP20 | | | | | IP20 | | IP20 | | | | | | IP20 | | | | IP20 | | | | IP20 | | | | IP20 | | | | | | | | | | |
| Clear | ■ | | | | | | ■ | | | | | ■ | | | | | ■ | | ■ | | | | | | ■ | | | | ■ | | | | ■ | | | | ■ | | | | | | | | | | |
| Diffused | ■ | | | | | | ■ | | | | | ■ | | | | | ■ | | ■ | | | | | | ■ | | | | ■ | | | | ■ | | | | ■ | | | | | | | | | | |
| Asymmetric lens | | | | | | ■ | | | | | | | | | | | | | | | | | | | | | | | | | | | | | | | | | | | | | | | | | |
| 14° | | | | | | | | | | | | | | | | | | | | | | | | | | | | | | | | | | | | | | | | | | | | | | | |
| 15° | | | | | | | | | | | | | | | | | | | | | | | | | | | | | | | | | | | | | | | | | | | | | | | |
| 46° | | | | | | | | | | | | | | | | | | | | | | | | | | | | | | | | | | | | | | | | | | | | | | | |

TIA 26-R Asymmetric



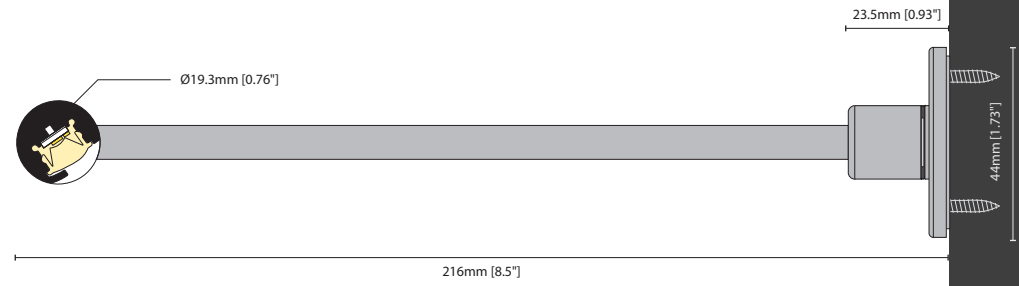
| | TIA 26 Asymmetric | TIA 26-R Asymmetric | TIA 26 | TIA 40 |
|-------------------|---|---|---|---|
| LED | A030 | A030 | A030 | A025 x2 |
| W/m | 30W | 30W | 30W | 50W |
| Line |  |  |  |  |
| IP | IP40 | IP40 | IP40 | IP40 |
| Cover & Optics | Diffused | | ■ | ■ |
| | Asymmetric lens | ■ | | |


TANA



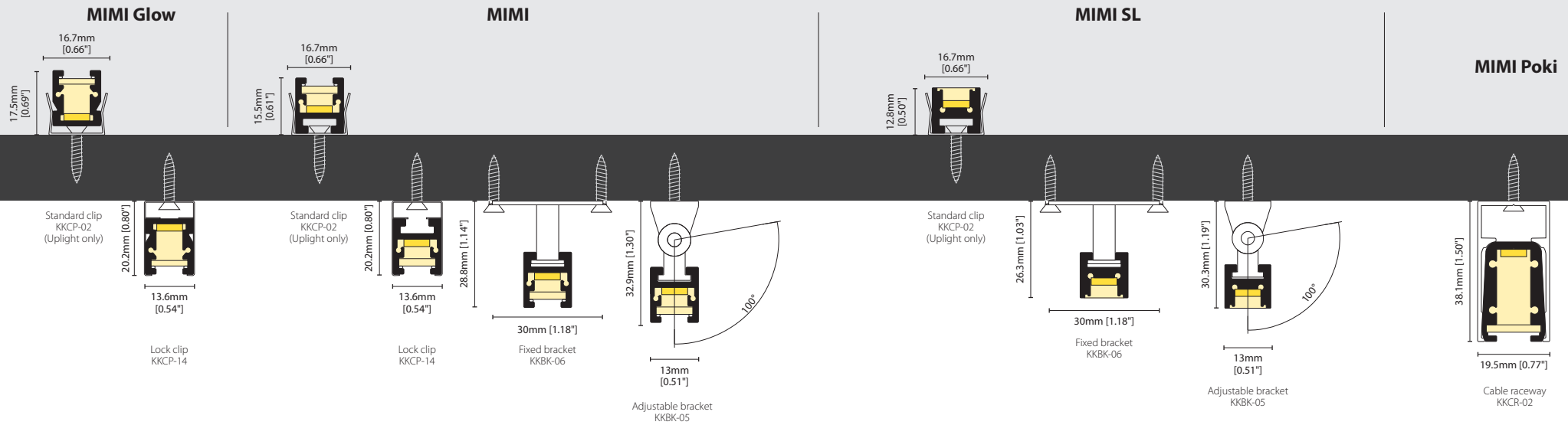
| | TANA Nano 1 | | TANA Nano 2 | | TANA Micro | | | | TANA SP | TANA | | | | | | TANA Asymmetric | TANA Spot | |
|----------------|-----------------|------|-------------|------|------------|------|------|------|---------|------|------|---------|------|------|-------|-----------------|-----------|-------|
| LED | RS14 | RS07 | RS14 | RS07 | R020 | R014 | R007 | R207 | R014 | R020 | R014 | R014 x2 | R007 | R207 | RGB | AS30 | White | HCRI |
| W/m | 14W | 7W | 14W | 7W | 20W | 14W | 7W | 16W | 14W | 20W | 14W | 28W | 7W | 16W | 15.6W | 30W | 3.57W | 3.57W |
| Line | | | | | | | | | | | | | | | | | | |
| IP | IP20 | | | | ■ | ■ | ■ | ■ | | | | | | | | | | |
| | IP40 | ■ | ■ | ■ | ■ | | | | ■ | ■ | ■ | ■ | ■ | ■ | ■ | ■ | ■ | ■ |
| Cover & Optics | No Cover | | | | ■ | ■ | ■ | ■ | | | | | | | | | | |
| | Clear | | | | | | | | | ■ | ■ | ■ | ■ | ■ | ■ | | | |
| | Diffused | ■ | ■ | ■ | ■ | | | | ■ | ■ | ■ | ■ | ■ | ■ | ■ | | | |
| | Asymmetric lens | | | | | | | | | | | | | | | ■ | | |
| | 16° | | | | | | | | | | | | | | | | ■ | |
| 24° | | | | | | | | | | | | | | | | | ■ | |
| 26° | | | | | | | | | | | | | | | | | | ■ |

PICO



| | PICO Asymmetric |
|----------------|---|
| LED | AS30 |
| W/m | 30W |
| Line |  |
| IP | IP40 |
| Cover & Optics | Asymmetric lens |

MIMI



| | MIMI Glow | | | MIMI | | | | | | | MIMI SL | | | | MIMI Poki | | | | | |
|----------------|-----------|------|------|------|------|------|------|------|------|-------|---------|------|------|-------|-----------|------|------|------|-------|----|
| LED | A020 | A010 | R020 | A020 | A010 | R020 | R014 | R007 | R207 | RGB | R020 | R014 | R007 | RGB | R020 | R014 | R007 | R207 | RGB | |
| W/m | 20W | 10W | 20W | 20W | 10W | 20W | 14W | 7W | 16W | 15.6W | 20W | 14W | 7W | 15.6W | 20W | 14W | 7W | 16W | 15.6W | |
| Line | A- | A- | s-k | A- | A- | s-k | s-k | s-k | s-k | ☀️ | s-k | s-k | s-k | ☀️ | s-k | s-k | s-k | s-k | ☀️ | ☀️ |
| IP | IP44 | ■ | ■ | ■ | ■ | ■ | ■ | ■ | ■ | ■ | ■ | ■ | ■ | ■ | ■ | ■ | ■ | ■ | ■ | ■ |
| IP67 | ■ | ■ | ■ | ■ | ■ | ■ | ■ | ■ | ■ | ■ | ■ | ■ | ■ | ■ | ■ | ■ | ■ | ■ | ■ | ■ |
| Cover & Optics | Clear | ■ | ■ | ■ | ■ | ■ | ■ | ■ | ■ | ■ | ■ | ■ | ■ | ■ | ■ | ■ | ■ | ■ | ■ | ■ |
| Diffused | ■ | ■ | ■ | ■ | ■ | ■ | ■ | ■ | ■ | ■ | | | | | ■ | ■ | ■ | ■ | ■ | ■ |
| Black | | | | ■ | ■ | ■ | ■ | ■ | ■ | ■ | | | | | | | | | | |
| Nano Louvre | ■ | ■ | ■ | ■ | ■ | ■ | ■ | ■ | ■ | ■ | | | | | | | | | | |

MOMO

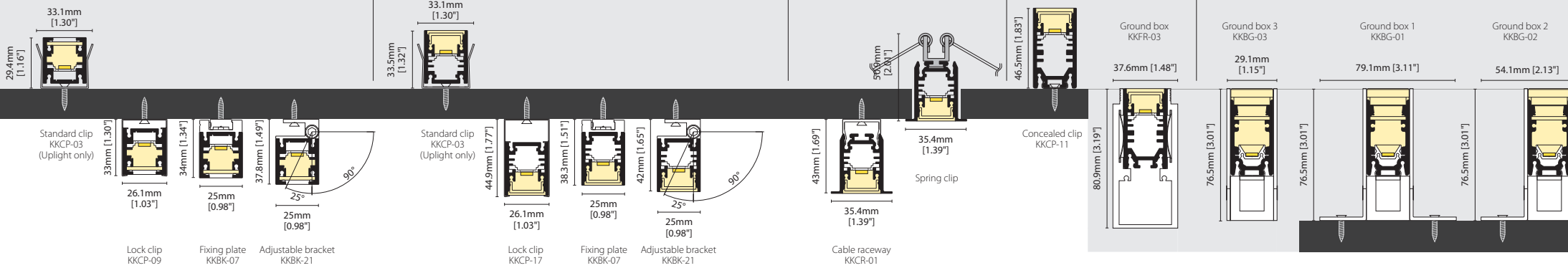
MOMO-F

MOMO Bloc

MOMO/MOMO Sauna

MOMO-L

MOMO-R



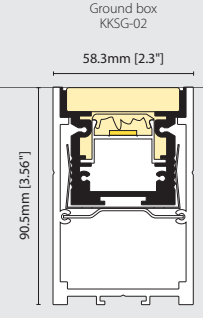
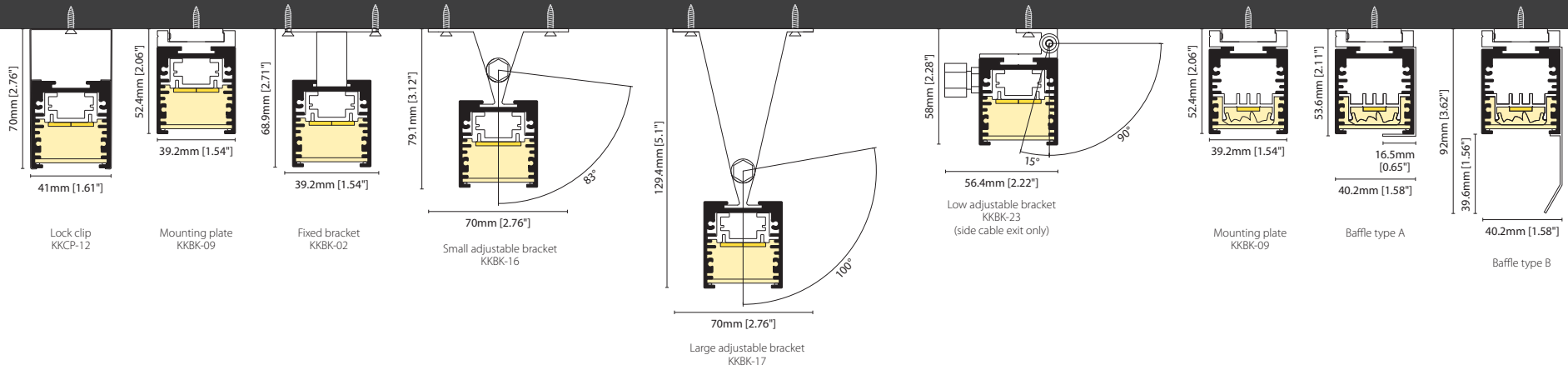
| | MOMO | | | | | | | | MOMO Sauna | | MOMO-L | | | | | | | | MOMO-R | | | | | | | | MOMO-F | | | | | | | | MOMO Bloc | | | | | | | | | | | | | | | | | | | | |
|------|------|------|-------|----------|---------------|-------------|--------------|-----------------|------------|------|--------|------|------|-------|----------|---------------|-------------|--------------|-----------------|------|------|------|------|------|-------|----------|---------------|-------------|--------------|-----------------|------|------|------|-------|-----------|-------|----------|---------------|-------------|--------------|-----------------|-------|------|------|------|-------|-------|----------|---------------|-------------|--------------|-----------------|-----|-----|-----|
| LED | A040 | R030 | R020 | R014 | R007 | R207 | RGBW | RGB | A008 | R007 | A040 | R030 | R020 | R014 | R007 | R207 | RGBW | RGB | A040 | R030 | R020 | R014 | R007 | R207 | RGBW | RGB | A040 | R030 | R020 | R014 | R007 | R207 | RGBW | RGB | A040 | R030 | R020 | R014 | R007 | R207 | RGBW | RGB | R020 | R014 | R007 | RGB | | | | | | | | | |
| W/m | 40W | 30W | 20W | 14W | 7W | 16W | 20W | 15.6W | 8W | 7W | 40W | 30W | 20W | 14W | 7W | 16W | 20W | 15.6W | 40W | 30W | 20W | 14W | 7W | 16W | 20W | 15.6W | 40W | 30W | 20W | 14W | 7W | 16W | 20W | 15.6W | 40W | 30W | 20W | 14W | 7W | 16W | 20W | 15.6W | 20W | 14W | 7W | 15.6W | | | | | | | | | |
| Line | A | S | K | S | K | S | K | S | K | S | K | S | K | S | K | S | K | S | K | A | S | K | S | K | S | K | S | K | A | S | K | S | K | S | K | S | K | A | S | K | S | K | S | K | S | K | S | K | S | K | | | | | |
| IP | IP44 | IP67 | Clear | Diffused | Frosted Glass | Nano Louvre | Micro Louvre | Asymmetric lens | 14° | 18° | 23° | IP44 | IP67 | Clear | Diffused | Frosted Glass | Nano Louvre | Micro Louvre | Asymmetric lens | 14° | 18° | 23° | IP44 | IP67 | Clear | Diffused | Frosted Glass | Nano Louvre | Micro Louvre | Asymmetric lens | 14° | 18° | 23° | IP44 | IP67 | Clear | Diffused | Frosted Glass | Nano Louvre | Micro Louvre | Asymmetric lens | 14° | 18° | 23° | IP44 | IP67 | Clear | Diffused | Frosted Glass | Nano Louvre | Micro Louvre | Asymmetric lens | 14° | 18° | 23° |

SEN

SEN

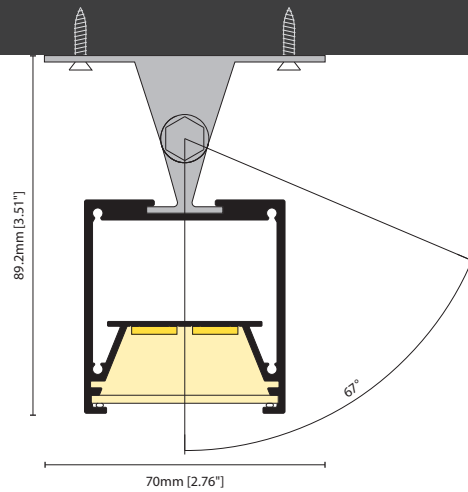
SEN Asymmetric

SEN-F Asymmetric

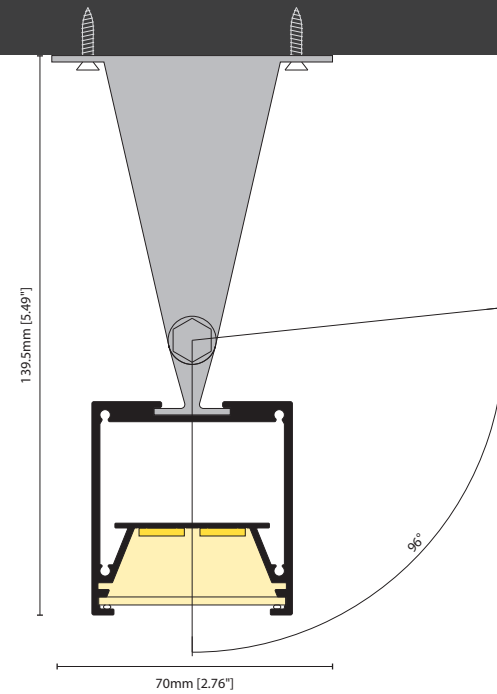


| | | SEN | SEN Asymmetric | SEN-F Asymmetric |
|----------------|-----------------|---------|----------------|------------------|
| LED | | A030 x2 | A040 | A040 |
| W/m | | 60W | 40W | 40W |
| Line | | A | A | A |
| IP | IP44 | ■ | ■ | ■ |
| | IP67 | ■ | ■ | ■ |
| Cover & Optics | Clear | ■ | | |
| | Diffused | ■ | | |
| | Asymmetric lens | | ■ | ■ |

SUMO



Small adjustable bracket
KKBK-16

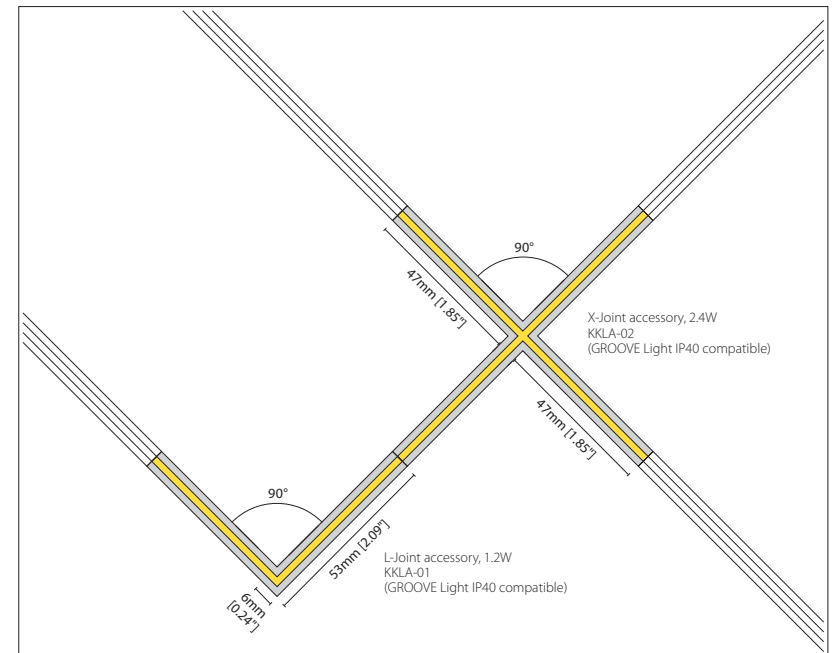
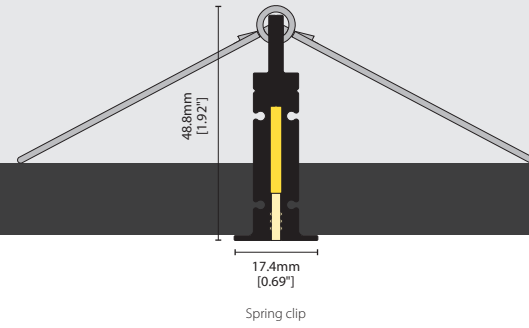


Large adjustable bracket
KKBK-17

| | | SUMO |
|----------------|----------|---------|
| | LED | A030 x2 |
| | W/m | 60W |
| | Line | |
| Cover & Optics | IP | |
| | | |
| | IP44 | ■ |
| | IP67 | ■ |
| | Clear | ■ |
| | Diffused | ■ |

GROOVE

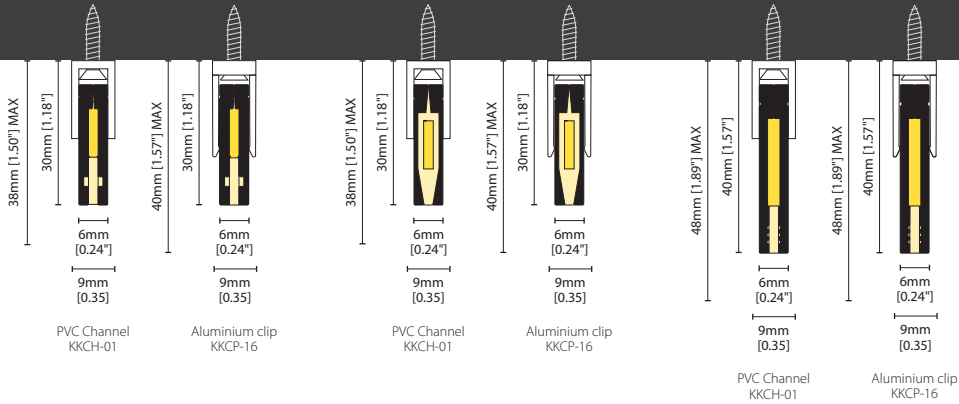
GROOVE In/GROOVE In RGB



GROOVE Light

GROOVE Light IP67

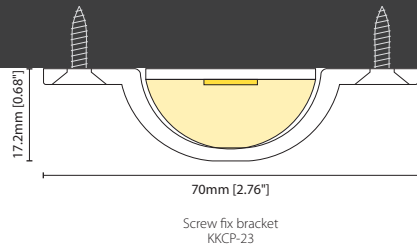
GROOVE Light RGB



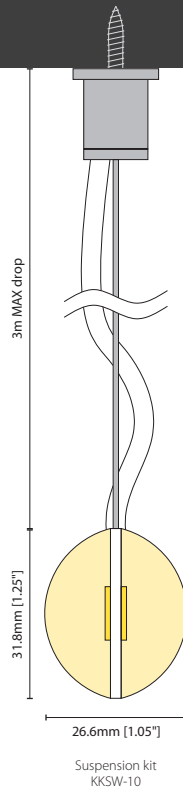
| | GROOVE Light | | | GROOVE In | |
|----------------|--------------|------------|-------|-----------|-------|
| | White | White IP67 | RGB | HCRI | RGB |
| LED | White | White IP67 | RGB | HCRI | RGB |
| W/m | 12W | 12W | 21.6W | 12W | 21.6W |
| Line | | | | | |
| IP | IP40 | ■ | ■ | ■ | ■ |
| | IP65 | ■ | ■ | ■ | ■ |
| | IP67 | ■ | ■ | | |
| Cover & Optics | Diffused | ■ | ■ | ■ | ■ |

FLO

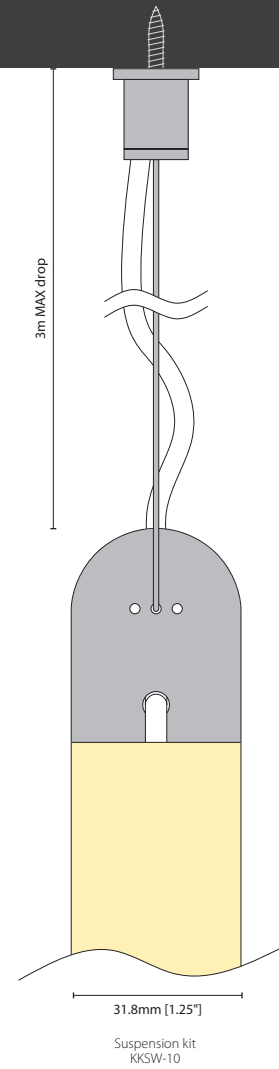
FLO Pool



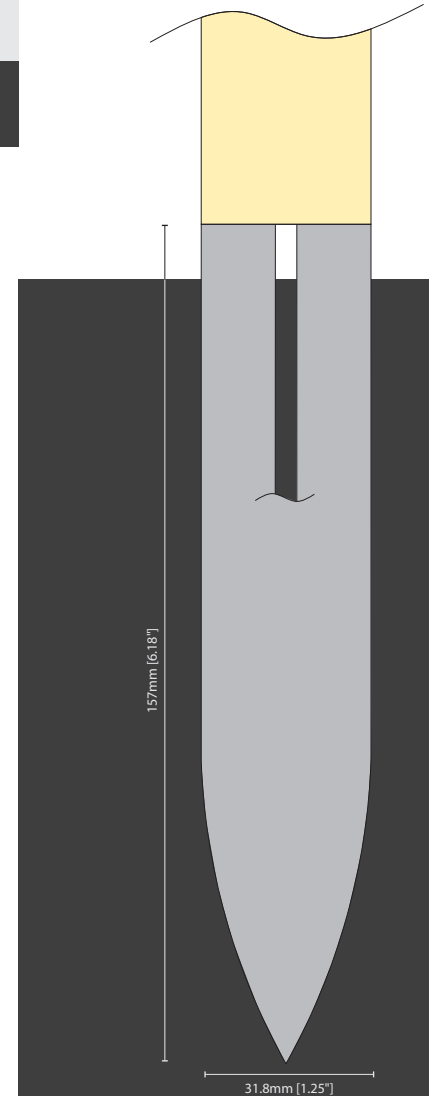
FLO Lume



FLO Drop



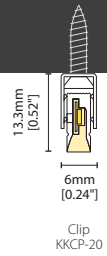
FLO Stem



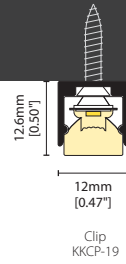
| | FLO Pool | FLO Lume | FLO Drop | FLO Stem |
|----------------|-----------------|-----------------|-----------------|-----------------|
| LED | White | White | White | White |
| W/m | 18W | 36W | 36W | 36W |
| Line | | | | |
| IP | IP68 | IP68 | IP68 | IP68 |
| Cover & Optics | Diffused | Diffused | Diffused | Diffused |

FLEXIBLE

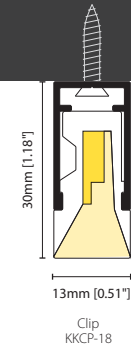
KURV Groove



KURV-X



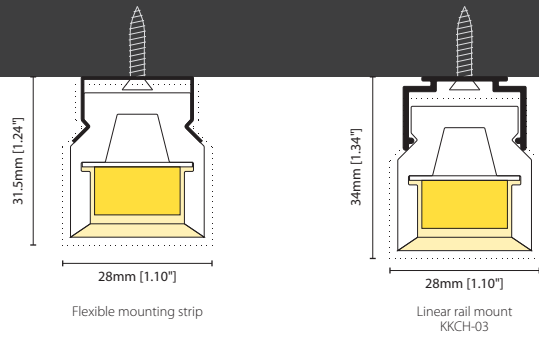
KURV-Y



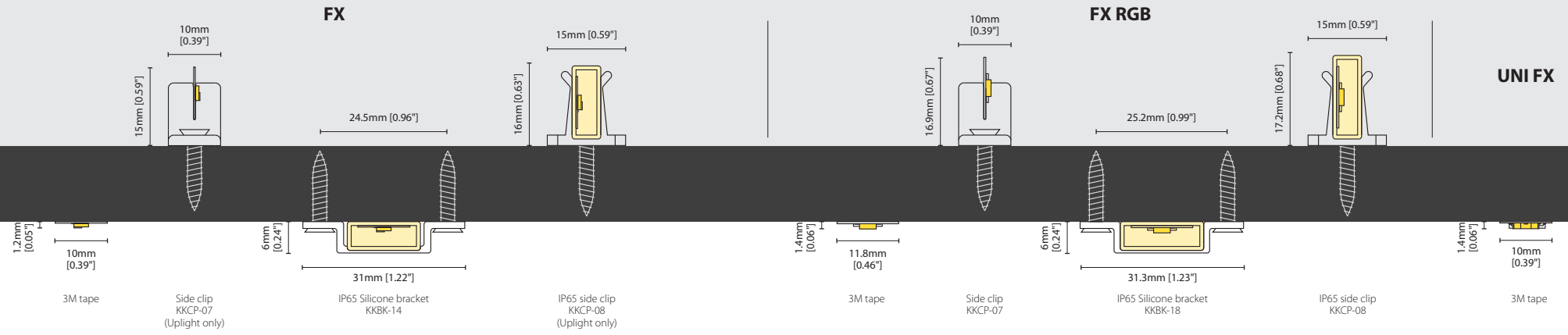
| | KURV Groove | KURV-X | KURV-Y | | |
|----------------|-------------|----------|----------|----------|----------|
| LED | White | White | White | LEDmix | RGB |
| W/m | 12W | 12W | 18W | 15.6W | 15.6W |
| Line | | | | | |
| IP | IP67 | IP67 | IP67 | IP67 | IP67 |
| Cover & Optics | Diffused | Diffused | Diffused | Diffused | Diffused |

MOMO Flex

MOMO Flex



| MOMO Flex | | |
|----------------|---------|---|
| LED | White | |
| W/m | 18W | |
| IP | IP66 | |
| Cover & Optics | 25° | ■ |
| | 35° | ■ |
| | 20°x45° | ■ |
| | 20°x55° | ■ |



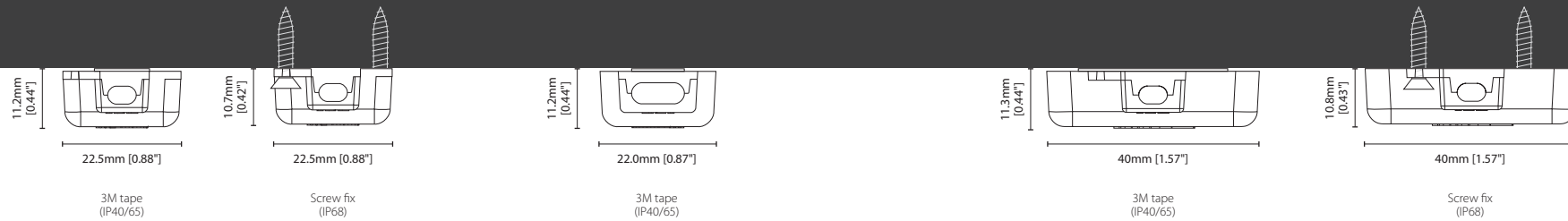
| | | FX | | | | UNI FX |
|----------------|----------|------|------|------|-------|---------|
| LED | | FX07 | FX14 | FX18 | RGB | UNI FX4 |
| W/m | | 7W | 14W | 18W | 15.6W | 15W |
| Line | | | | | | |
| IP | IP20 | ■ | ■ | ■ | ■ | ■ |
| | IP65 | ■ | ■ | ■ | ■ | |
| Cover & Optics | No Cover | ■ | ■ | ■ | ■ | ■ |
| | Clear | ■ | ■ | ■ | ■ | |

LUNA

DUO Luna

DUO Luna RGB

QUADRO Luna / QUADRO Luna RGB

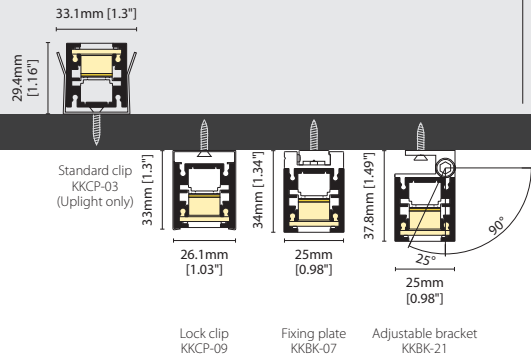


| | DUO Luna | | QUADRO Luna | |
|----------------|----------|-------|-------------|-------|
| LED | White | RGB | White | RGB |
| W/m (13mods) | 7W | 7.8W | 14W | 14W |
| Line | | | | |
| IP | IP40 | ■ | ■ | ■ |
| | IP65 | ■ | ■ | ■ |
| | IP68 | ■ | ■ | ■ |
| Cover & Optics | Clear | Clear | Clear | Clear |

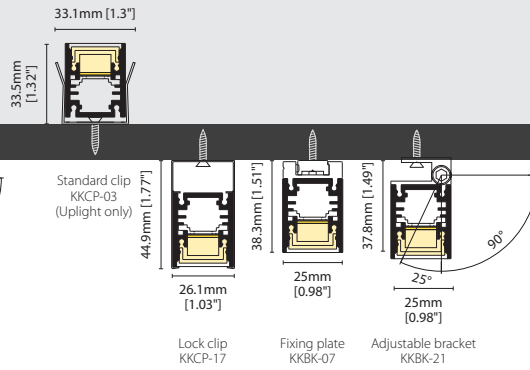
P O W E R

MOMO Power

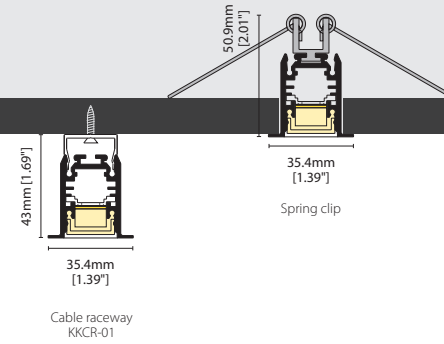
MOMO Power



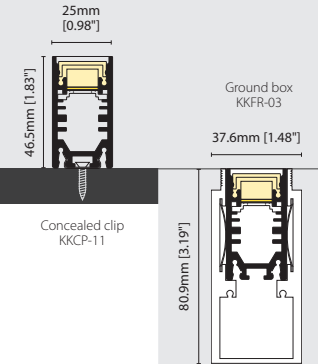
MOMO-L Power



MOMO-R Power



MOMO-F Power



| | MOMO Power | MOMO-L Power | MOMO-R Power | MOMO-F Power |
|----------------|------------------|--------------|--------------|--------------|
| LED | P030 | P030 | P030 | P030 |
| W/m | 30W | 30W | 30W | 30W |
| Line | h | h | h | h |
| IP | IP44 | ■ | ■ | ■ |
| | IP67 | ■ | ■ | ■ |
| Cover & Optics | No Lens | ■ | ■ | ■ |
| | Clear | ■ | ■ | ■ |
| | Micro Louvre | ■ | ■ | ■ |
| | Honeycomb Louvre | ■ | ■ | ■ |
| | Spreader lens | ■ | ■ | ■ |
| | 12° | ■ | ■ | ■ |
| | 25° | ■ | ■ | ■ |
| 60° | ■ | ■ | ■ | |

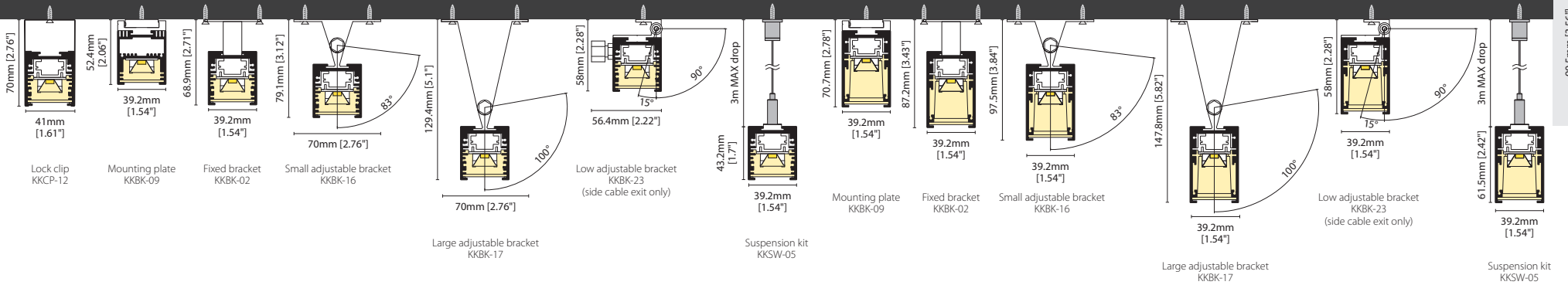
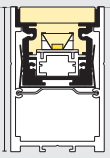
SEN CV/SEN CC/SEN CV Indoor

SEN Louvre CV/SEN Louvre CC

SEN-F CV SEN-F CC

Ground box
KKS-G-02

58.3mm [2.3"]

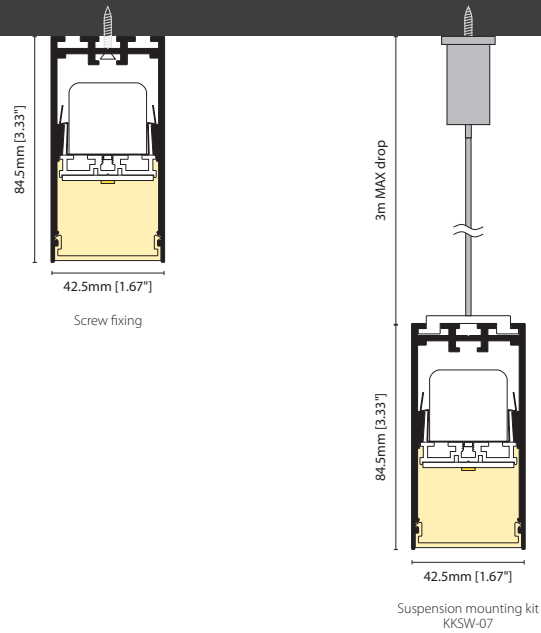


| | SEN CV | | | SEN CC | | | SEN CV Indoor | SEN Louvre CV | SEN Louvre CC | | | SEN-F CV | SEN-F CC | | |
|----------------|---------------|---------|---------|---------|---------|---------|---------------|---------------|---------------|---------|---------|----------|----------|---------|---------|
| LED | 035 | 047 RGB | 094 RGB | 033 | 050 | 100 | 035 | 035 | 033 | 050 | 100 | 035 | 033 | 050 | 100 |
| W/m | 40W | 32.7W | 16.3W | 30W/61W | 20W/41W | 10W/21W | 40W | 40W | 30W/61W | 20W/41W | 10W/21W | 40W | 30W/61W | 20W/41W | 10W/21W |
| Line | | | | | | | | | | | | | | | |
| IP | IP40 | | | | | | | | | | | | | | |
| | IP44 | ■ | ■ | ■ | ■ | ■ | ■ | ■ | ■ | ■ | ■ | ■ | ■ | ■ | ■ |
| | IP67 | ■ | ■ | ■ | ■ | ■ | ■ | ■ | ■ | ■ | ■ | ■ | ■ | ■ | ■ |
| Cover & Optics | No Lens | ■ | ■ | ■ | ■ | ■ | ■ | ■ | ■ | ■ | ■ | ■ | ■ | ■ | ■ |
| | Clear | ■ | ■ | ■ | ■ | ■ | ■ | ■ | ■ | ■ | ■ | ■ | ■ | ■ | ■ |
| | Micro Louvre | ■ | | | ■ | ■ | ■ | ■ | ■ | ■ | ■ | ■ | ■ | ■ | ■ |
| | Deep Louvre | | | | | | | ■ | ■ | ■ | ■ | | | | |
| | Spreader lens | ■ | ■ | ■ | ■ | ■ | ■ | ■ | | | | ■ | ■ | ■ | ■ |
| | 10° | ■ | ■ | ■ | ■ | ■ | ■ | ■ | ■ | ■ | ■ | ■ | ■ | ■ | ■ |
| | 20° | ■ | | | ■ | ■ | ■ | ■ | ■ | ■ | ■ | ■ | ■ | ■ | ■ |
| | 30° | ■ | | | ■ | ■ | ■ | ■ | ■ | ■ | ■ | ■ | ■ | ■ | ■ |
| 35° | | ■ | ■ | | | | | | | | | | | | |
| 60° | | | | ■ | ■ | ■ | | | | | | | ■ | ■ | |

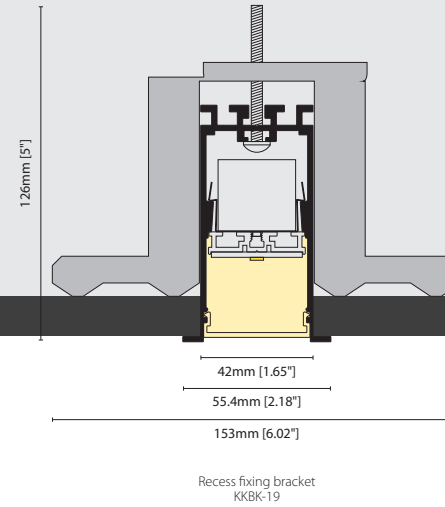
S Y S T E M S

KOH

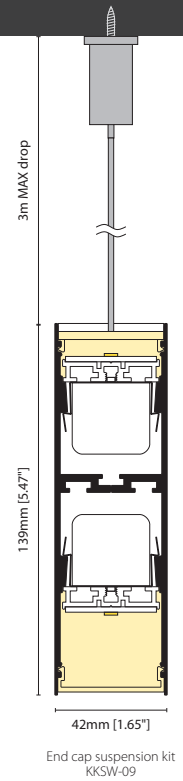
KOH 40-S









KOH 40-R

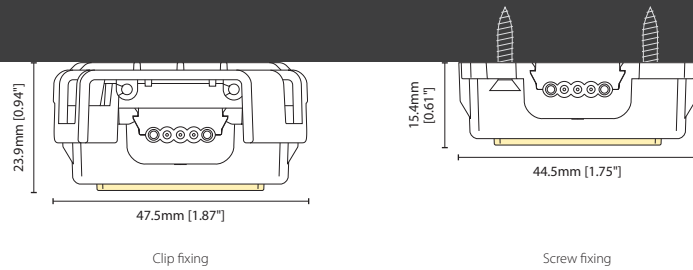




KOH 40-H



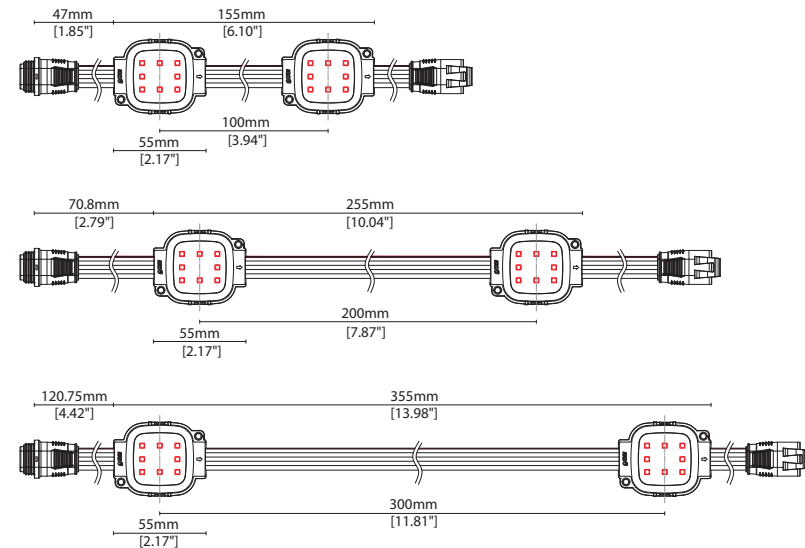
| | KOH 40-S | | KOH 40-R | | KOH 40-H | |
|----------------|---|---|---|---|---|---|
| LED | High PWR | High CRI | High PWR | High CRI | High PWR | High CRI |
| W/m | 33.5W | 17.5W | 33.5W | 17.5W | IND 31.1W DIR 33.5W | IND 16.3W DIR 17.5W |
| Line |  |  |  |  |  |  |
| IP | IP40 | IP40 | IP40 | IP40 | IP40 | IP40 |
| Cover & Optics | Diffused | ■ | | ■ | | ■ |
| | Louvre | ■ | ■ | ■ | ■ | ■ |
| | Spreader lens | ■ | | ■ | | ■ |
| | Prismatic | | ■ | | ■ | ■ |
| | 10° | ■ | | ■ | | ■ |
| 20° | ■ | | ■ | | ■ | |
| 30° | ■ | | ■ | | ■ | |

PIXEL Matrix

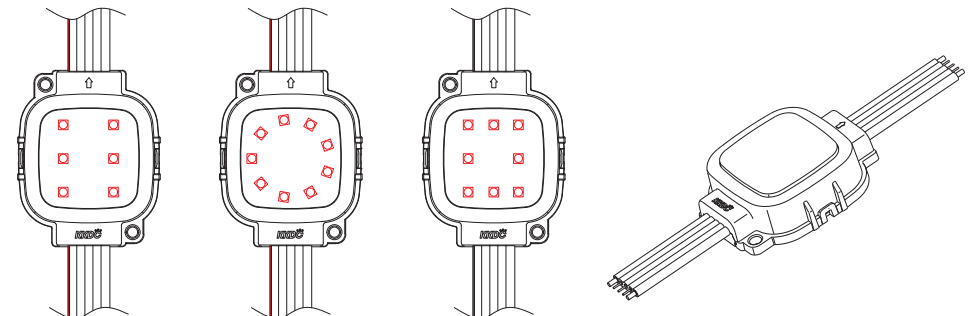


| | PIXEL Matrix | | |
|----------------|--------------|---|---|
| LED | White | RGBW | RGB |
| Line | n/a |  |  |
| IP | IP67 | IP67 | IP67 |
| Cover & Optics | Clear | Clear | Clear |

PIXEL pitch options

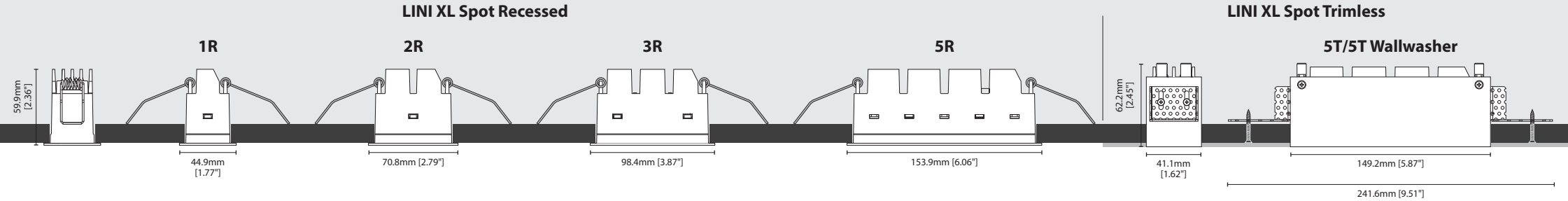


LED array pattern



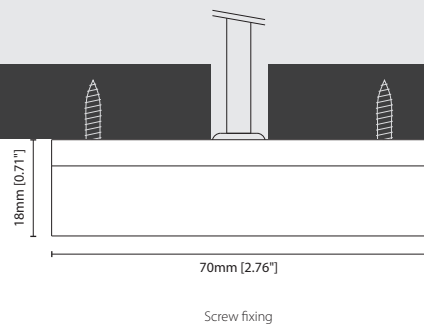
S P O T S

LINI Spot

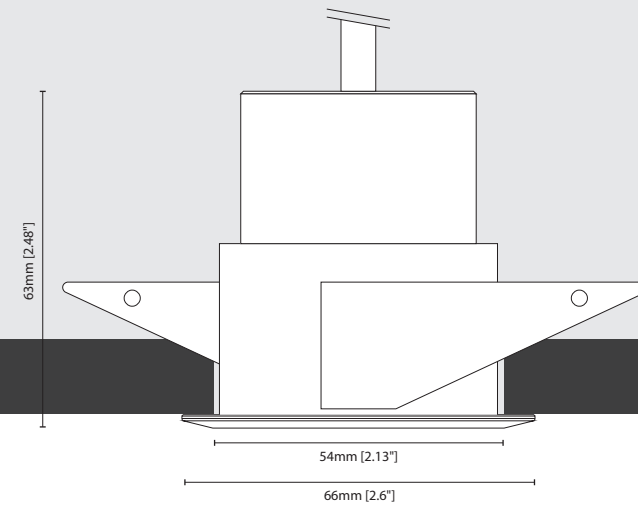
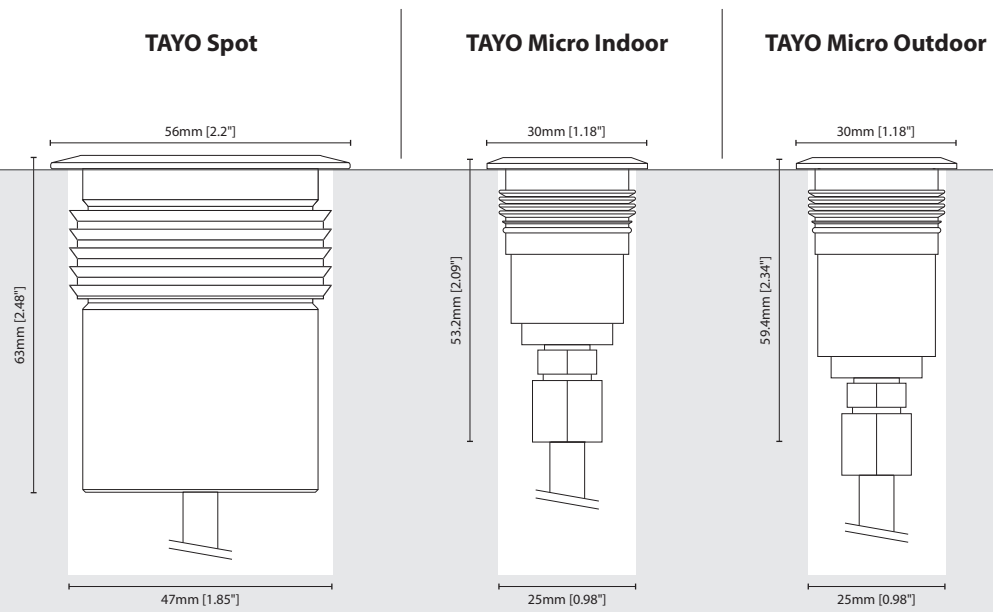






| | | LINI XL Spot Recessed | | | | | LINI XL Spot Trimless | | |
|----------------|-----------|-----------------------|------|------|------|-----------|-----------------------|------|---------|
| LED | | 1R | 2R | 3R | 5R | 5R Adjust | 5R Wash | 5T | 5T Wash |
| W/m | | 2W | 4W | 7W | 11W | 11W | 11W | 11W | 11W |
| Line | | | | | | | | | |
| IP | | IP20 | IP20 | IP20 | IP20 | IP20 | IP20 | IP20 | IP20 |
| Cover & Optics | Reflector | | | | | | ■ | | ■ |
| | 24° | ■ | ■ | ■ | ■ | ■ | | ■ | |
| | 40° | ■ | ■ | ■ | ■ | ■ | | ■ | |

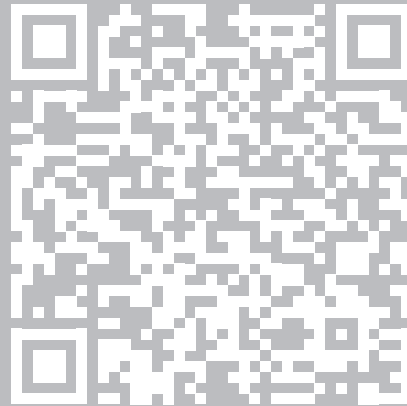
PUK-L



| | | PUK-L |
|----------------|------------------|-------|
| LED | | White |
| W/m | | 3.6W |
| Line | | k- |
| IP | | IP44 |
| Cover & Optics | Clear | ■ |
| | Diffused | ■ |
| | Honeycomb Louvre | ■ |



| | TAYO Spot | TAYO Micro | | TAYO Ceiling |
|----------------|---|---|---|---|
| LED | White | Indoor | Outdoor | White |
| W/m | 1.62W | 0.14W | 0.14W | 1.62W |
| Line |  |  |  |  |
| IP | IP44 | ■ | | |
| | IP67 | ■ | | ■ |
| Cover & Optics | Clear Glass | ■ | | ■ |
| | Diffused | | ■ | |
| | Frosted Glass | | | ■ |
| | Spreader lens | ■ | | ■ |
| | 10° | ■ | | ■ |
| | 20° | ■ | | ■ |
| 30° | ■ | | ■ | |
| 60° | ■ | | ■ | |



[View full catalogue here](#)