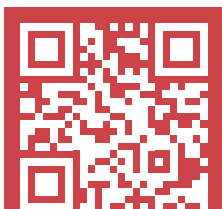


# NEKKIDA

Decorative



*A multi-sensorial floor lamp designed by Lisa Marchesi Studio in collaboration with KKDC. This multi function lamp provides various modes of direct & indirect lighting with a unique integral fragrance diffuser to transform any space into a personalised environment that stimulates the senses.*



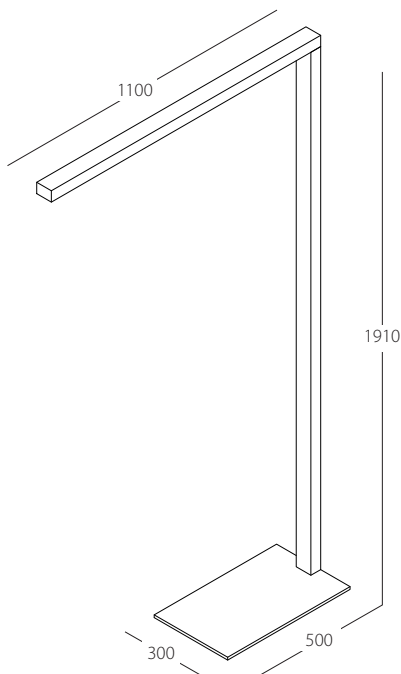
**KKDC**

# NEKKIDA

Decorative

## Technical overview

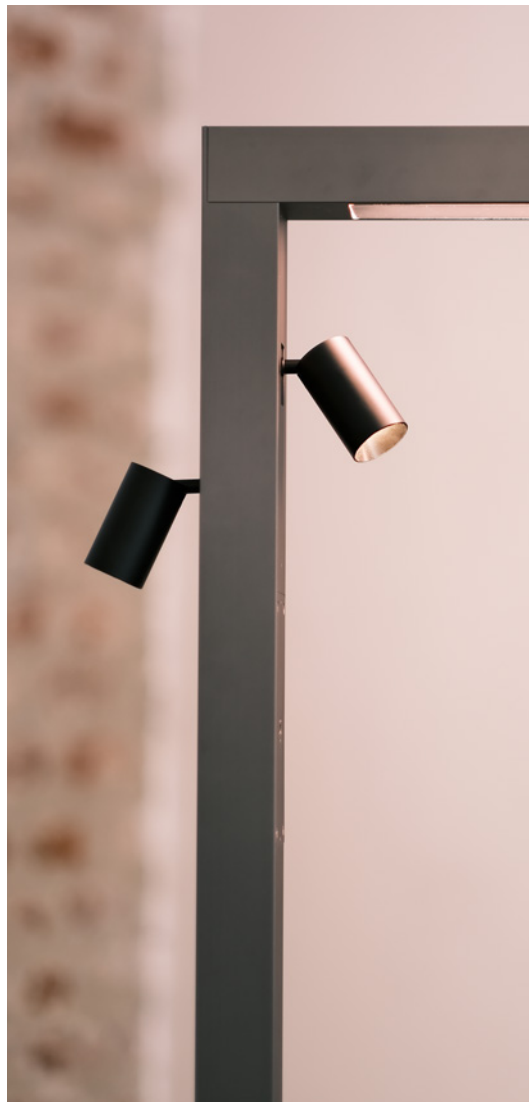
<b>Type</b>	Multi-sensory floor lamp
<b>LED light source</b>	Direct/Indirect with dynamic white (1900K-5000) RGBW colour mixing Directional Spotlight (2700K/3000K/3500K)
<b>Control</b>	Local dimming control Casambi Bluetooth & USB connectivity
<b>Cover &amp; Optics</b>	Direct/Indirect diffused cover. Low glare 'Nano Louvre' applied to direct output
<b>IP Rating</b>	IP44
<b>Finish</b>	Textured paint finish, Graphite Grey
<b>Dimensions</b>	L1100/W300/H1910mm (L43.3/W11.8/H75.2in)



Finish options



Graphite grey



KKDÖ

# NEKKIDA

Decorative

*Envisioned by Lisa Marchesi Studio, Italy and realised by KKDC Korea, NEKKIDA is a multi-functional floor lamp that embraces the latest technologies in order to provide a sensorial product experience using light, audio and fragrance to tailor the atmosphere of your space. The minimalist lamp form is characterised by direct/indirect diffused dynamic white, tuneable from 1900K to 5000K including RGBW to suit your mood. The vertical aspect is complemented by small directional focused spotlights with colour temperature selectable to 2700K, 3000K or 3500K.*

**Sensorial product  
(light, sound, smell)**

**Customisable dynamic lighting  
effects.**

**Integral sound with Bluetooth  
and USB connectivity**

**Fragrance diffuser via USB**

Design collaboration by Lisa Marchesi Studio & KKDC, 2024

**KKDÖ**