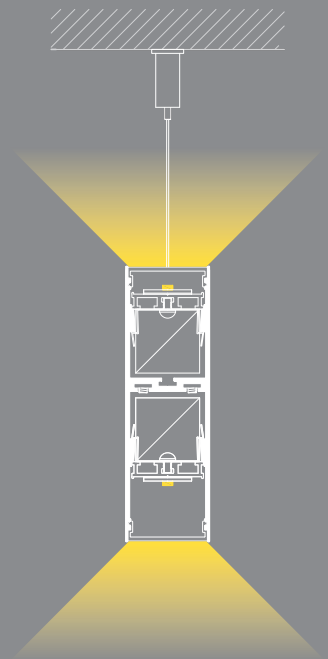
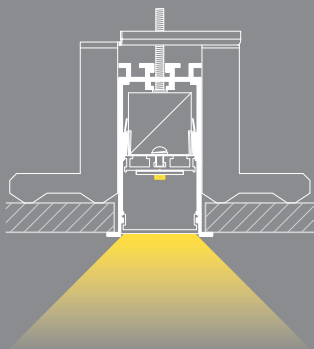


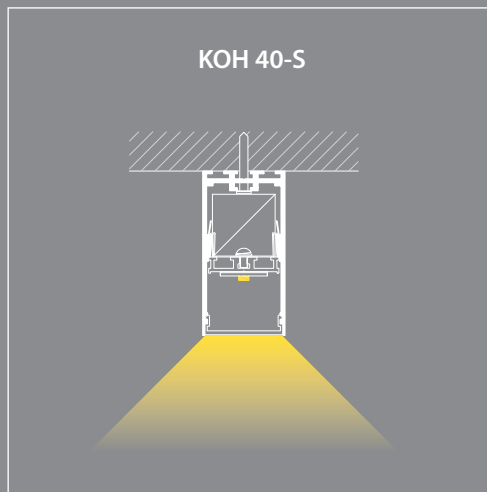
KOH 40-H



KOH 40-R



KOH 40-S



KOH 40

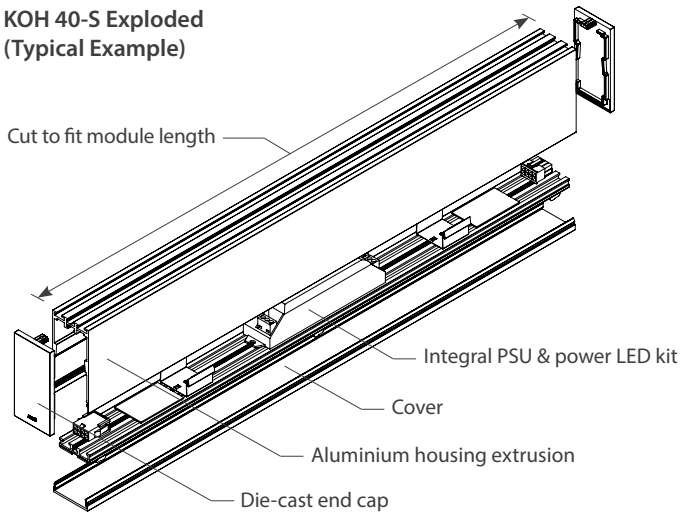
High output linear LED system for direct/indirect general lighting

Type	Efficient, high output general office lighting system
LED/Output	Full Spectrum (1960lm/m)/High CRI (1990lm/m)/High Power (2680lm/m)
Colours	2700K/3000K/3500K/4000K/5000K
CRI	80/90
Lifetime	50,000 hours
IP	40
Control	0-10V/DALI Integral PSU
Power	30-57W/m (110-240V AC Input)
Mounting	Surface/Recessed/Suspended
Cover/Optics	Diffused/Prismatic/Black Louvre
Finish	Powder Coated aluminium: White/Silver/Grey/Black/Bronze

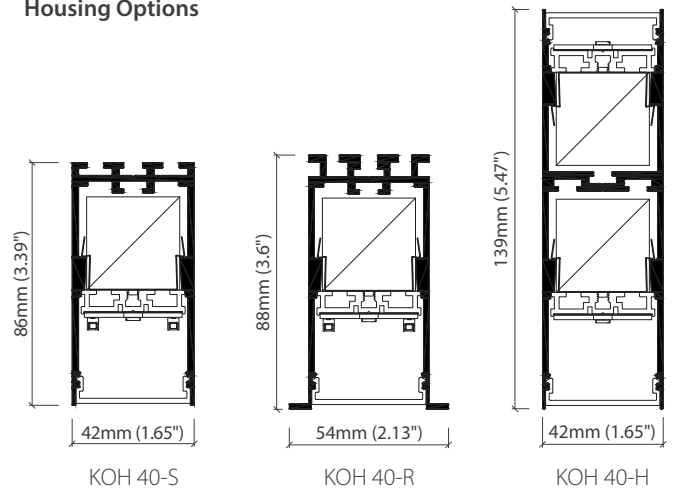
General
Lighting

KKDC
www.kkdc.lighting

KOH 40-S Exploded (Typical Example)



Housing Options



LED Module Options



32.5W/m

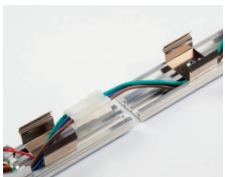
29.8W/m

57W/m

532B – Full Spectrum
(Up to 1960lm/m)

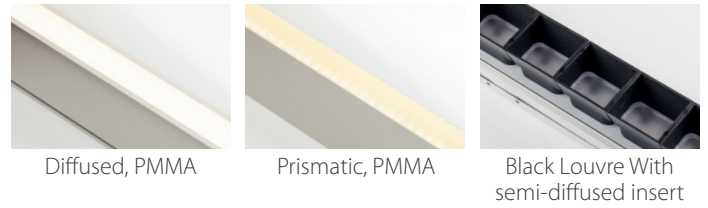
630A – High CRI
(Up to 1990lm/m)

957A – High Power
(Up to 2684lm/m)



End to end connection

Cover/Optic Options



Diffused, PMMA

Prismatic, PMMA

Black Louvre With
semi-diffused insert

Finish Options (Textured Power Coat)



Matt White

Matt Silver

Matt Grey

Matt Black

Bronze

KOH 40 Order Code Table

Housing	Finish	Cover/Lens*	Strip	Colour (CCT)	Module	Lens	Module Type	Control Type (Integral)	Voltage
KOH 40-S	GA Matt white paint	MW Louvre (No Cover)	X Full Spectrum	532B 2700K	27K 560mm	M560 No Lens	x Complete 1	0-10V 1	AC 110V c
KOH 40-R	GB Matt silver paint	MS Diffused	C	3000K 30K	1120mm	M1120	Start 2	DALI 3	AC 220V d
KOH 40-H	GC Matt grey paint	MG Prismatic	G High CRI	630A 2700K	27K 1680mm	M1680	Middle 3		AC 277V e
	Matt black paint	MB		3000K	30K	22.04in	10022	End 4	
	3500K	35K		44.09in	10044				
	4000K	40K		66.14in	10066				
	bronze paint	BP		5000K	50K				

Module Type



Accessory Order Codes

KOH 40-S	KOH 40-R	KOH 40-H
Mounting KKS-07 Suspension Kit KKS-08 Ceiling Rose	KKBK-19 Fixing Bracket	KKS-09 Suspension Kit KKS-10 Ceiling Rose
Other KKJT-03 Joining Bar KKCN-26 Power Feed	KKJT-03 Joining Bar KKCN-26 Power Feed	KKJT-04 Joining Bar KKCN-26 Power Feed

High Power (Louvre only)	957A	2700K (90CRI)	27K	560mm	M560	10°	a
		3000K (90CRI)	30K	22.04in	10022	20°	b
		3500K (80CRI)	35K			30°	c
		4000K (80CRI)	40K			Spread	e
		5000K (80CRI)	50K			Frosted	l

* Applies to direct lighting only. KOH 40-H indirect lighting uses diffused cover only.

Code Example:

GA	-	MW	-	C	-	532B	-	27K	-	M1120	-	x	-	1	-	1	-	d
KOH 40-S		Matt white paint		Diffused		Full Spectrum		2700K		1120mm		No lens		Complete module		0-10V		AC 220V

General Lighting