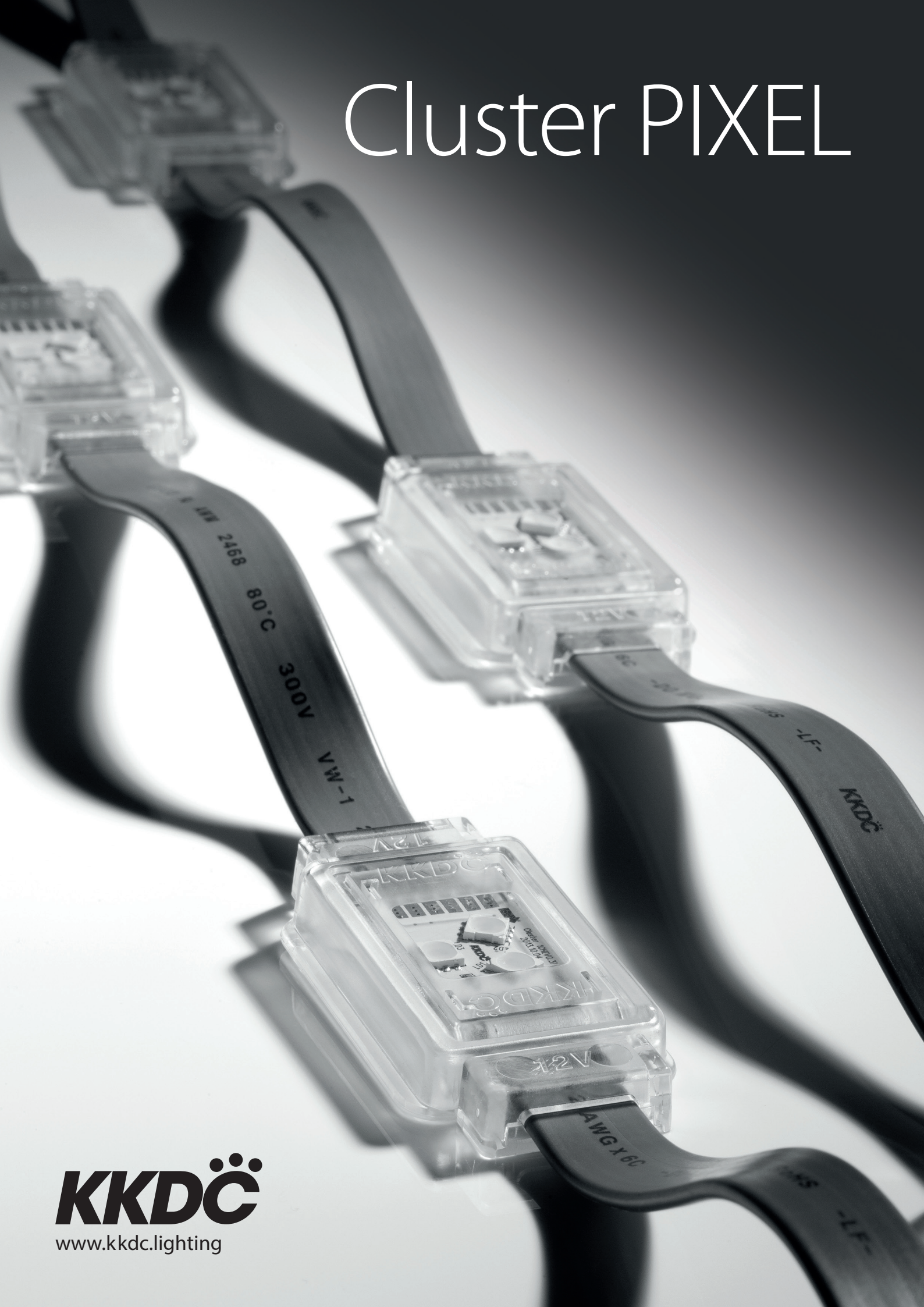


Cluster PIXEL



Cluster PIXEL



A flexible and extensible string of individually addressable RGB or white modules. A robust solution for creative design of dynamic display projects. Designed for interior or exterior use, either surface mounted or through incorporation into structural surfaces.

Multiplexed control through a software PC application and KKDC interface customised to order; or via standalone hardware unit.

- 12V facade lighting tool
- Various media types available (RGB wave, video, media facade)
- White and RGB options

Cluster PIXEL

12V DC 0.51W 66.1 lm/w IP67 CE

33.3lm per module

Luminous flux: 33.3lm per module (@ 3000K)

Size: H11/W34/L64mm

Chip: Toyoda Gosei

Beam angle: 120°

Colours: White: 2300K/2500K/2700K/3000K/3200K/3800K/5000K
Single colours: Red/Green/Blue/Orange/Amber

CRI: ≥90

Lifetime: 50,000 hours @ 25°C

Operating temp: T_a = -25 to 50°C (T_c max = 66°C)

IP rating: IP67

Finish: Polycarbonate

Cover/Lens: Diffused/Clear

Mounting: Surface mounting via clips

Connection: Cluster to Distributor: 4Pin type WP connector

Control: Cluster system via DMX512 (Speak to KKDC for further details)

Cluster PIXEL RGB

12V DC 0.72W IP67 CE

0.72W per module

Size: H11/W34/L64mm

Chip: Red TEKCORE/
Blue EPILEDS/Green 3E

Beam angle: 120°

CRI: N/A

Lifetime: 50,000 hours @ 25°C

Operating temp: T_a = -25 to 50°C (T_c max = 66°C)

IP rating: IP67

Finish: Polycarbonate

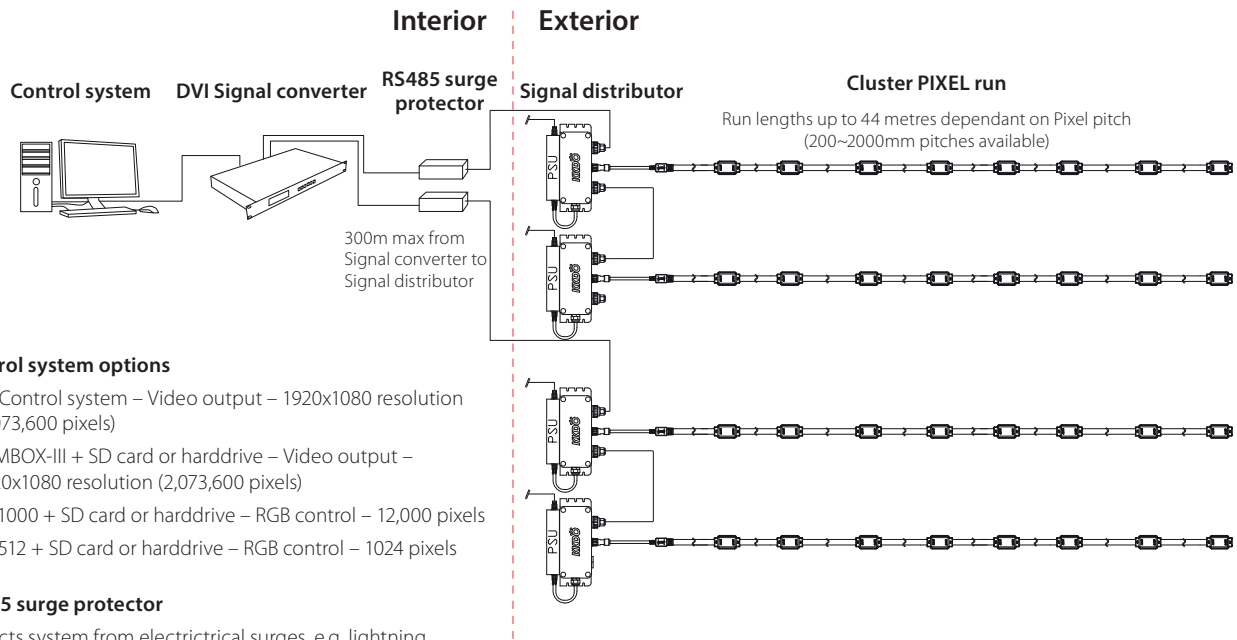
Cover/Lens: Diffused/Clear

Mounting: Surface mounting via clips

Connection: Cluster to Distributor: 4Pin type WP connector

Control: Cluster system via DMX512 (Speak to KKDC for further details)

SYSTEM EXAMPLE



Control system options

1. PC Control system – Video output – 1920x1080 resolution (2,073,600 pixels)
2. CFMBOX-III + SD card or harddrive – Video output – 1920x1080 resolution (2,073,600 pixels)
3. FC-1000 + SD card or harddrive – RGB control – 12,000 pixels
4. FC-512 + SD card or harddrive – RGB control – 1024 pixels

RS485 surge protector

Protects system from electrical surges, e.g. lightning

DVI Signal converter

8 ports of 170 pixels for DMX 512 or 4 ports of 1024 pixels for Hi-speed

Signal distributor

1~170 pixels per distributor in DMX 512 or 1~1024 pixels per distributor in Hi-speed

Cluster PIXEL run

1~170 pixels per run in DMX 512 or 1~1024 pixels per run in Hi-speed

*Note – System shown above is example only, components and materials may change due to project size and environment.





1

Cluster PIXEL Accessories

Mounting Options

KKCP-15

Clip

Please contact your local KKDC engineer for setup and controll options.



2



3



4

1. Cluster PIXEL installation
2. Cluster PIXEL white module
3. Cluster PIXEL RGB module
4. Cluster PIXEL RGB illuminated