

Groove X & L

End accessories for 'Groove Light' architectural lighting details

Type	Recessed LED marker luminaire
LED	s-line
Colours	2700K/3000K/4000K
CRI	≥90
Lifetime	30,000hrs
IP	40/65
Control	0-10V/1-10V/DMX/DALI (via dimming sub-controllers)
Voltage	24V DC
Mounting	Recessed
Cover/Optics	Diffused
Finish	Silver anodised aluminium

Linear

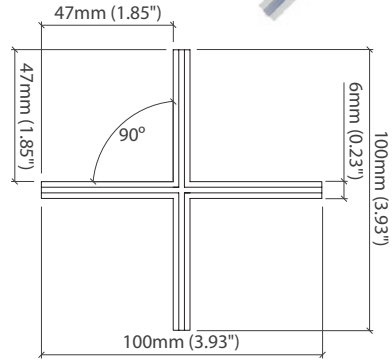
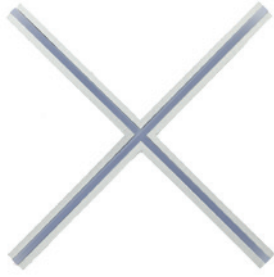
KKDÖ
www.kkdc.lighting

Groove X & L

Groove-X accessory

KKLA-02A (2700K HCRI)

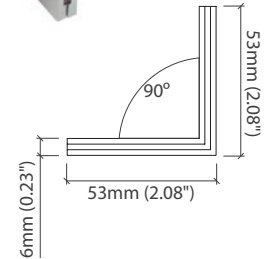
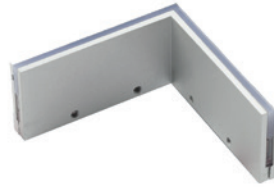
KKLA-02P (3000K HCRI)



Groove-L accessory

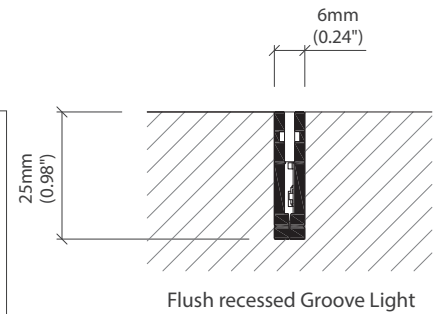
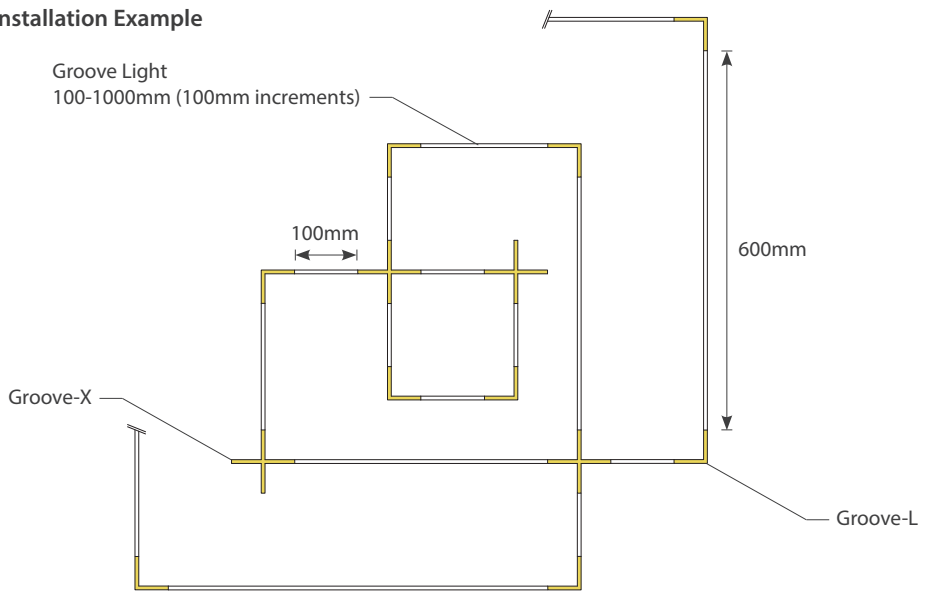
KKLA-01A (2700K HCRI)

KKLA-01P (3000K HCRI)



Installation Example

Groove Light
100-1000mm (100mm increments)



Groove Light Order Code Table

Housing/Finish	Cover/Lens	LED Type	Colour (CCT)	Length Availability	IP Rating	Connection Type	Voltage									
Groove Light, Silver anodised	GRSA	Diffused	C	s-103	s103	2700K	27K	Groove Light 103	m	100mm - 1000mm 100mm increments	IP40	40	300mm Single tail	S00X	24V DC	g
						3000K	30K				IP65	65		300mm Double tail		D00X
						4000K	40K									

Code Example:

GRSA	-	C	-	s103	-	30K	-	m	500	-	40	-	D00X	-	g
Groove Light, Silver anodised		Diffused		s-line 103		3000K		500mm		IP40			300mm Double tail		24V DC

Linear